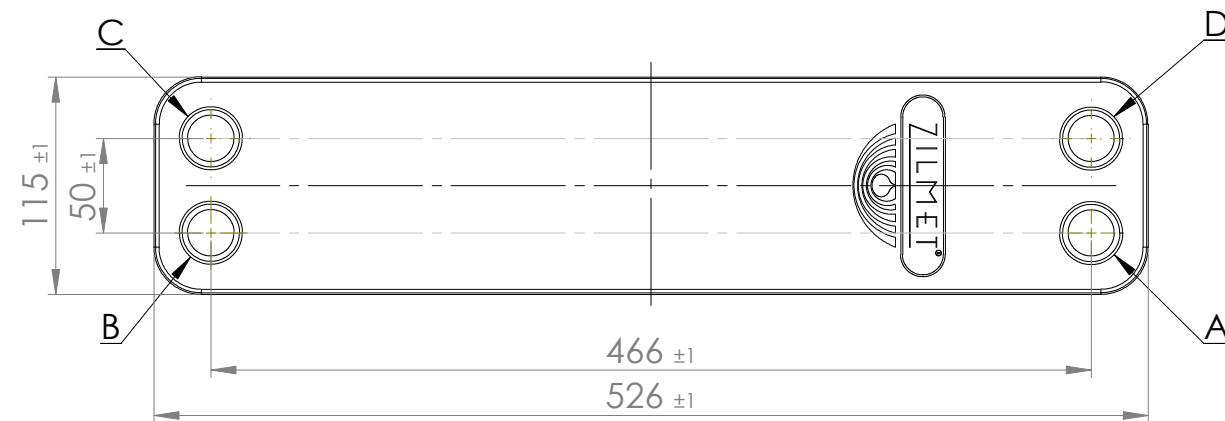
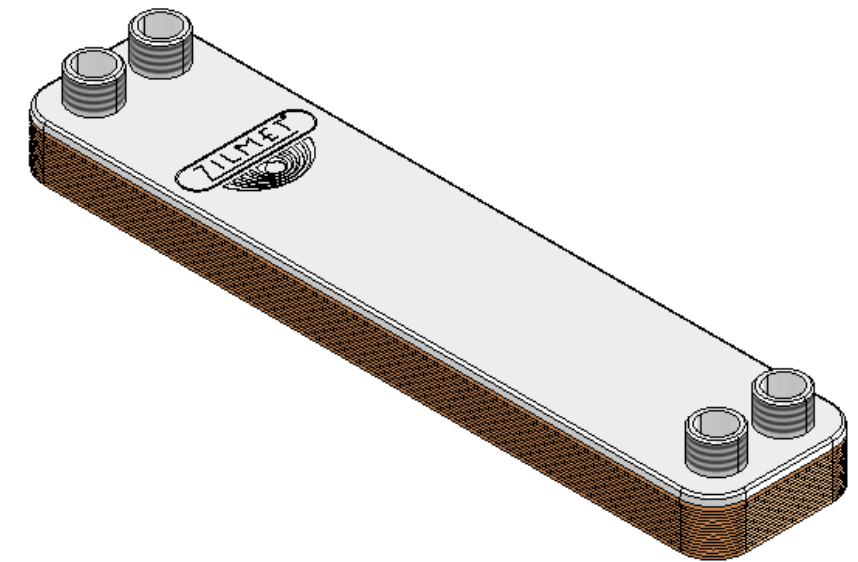
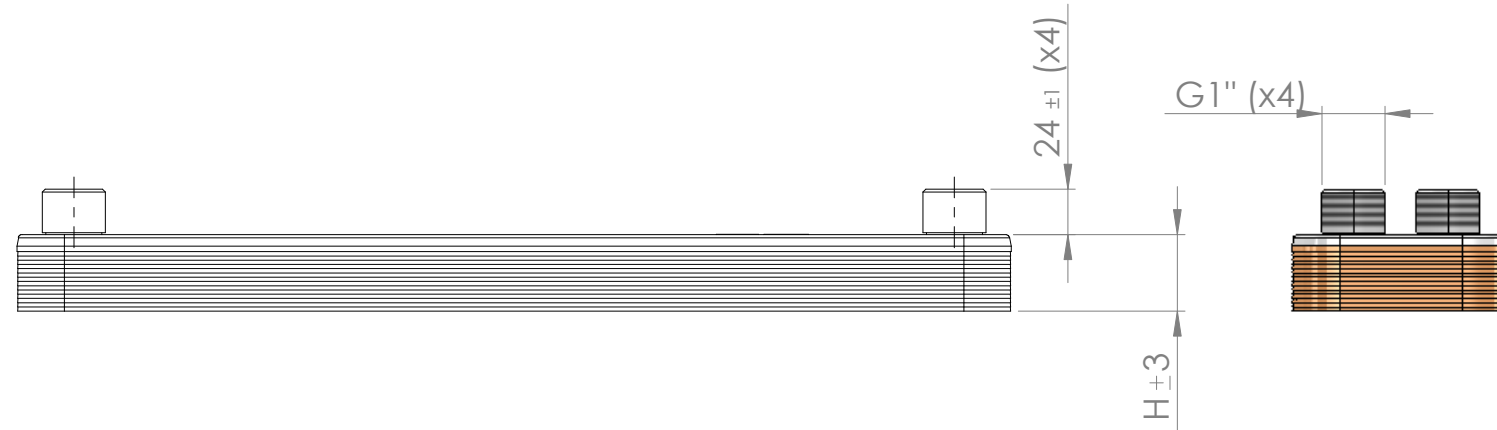




CODE	N° OF PLATES	H
17B5001004	10	32
17B5001404	14	41
17B5002004	20	54
17B5003004	30	77
17B5004004	40	99
17B5005004	50	122
17B5006004	60	144
17B5007004	70	167
17B5008004	80	189
17B5010004	100	234



Press.max esercizio (Max operating pressure): 30 bar
 Press.di collaudo (Test pressure): 45 bar
 Temperatura esercizio (Max oper. temperature): -50 / +200 °C
 Materiale piastre corr. (Shaped plates material): INOX AISI 316 L
 Materiale di brasatura (Brazing material): 99.9% Cu
 Materiale raccordi (Connection material): INOX AISI 316

CIRCOLAZIONE FLUIDI CIRCUITO PRIMARIO ENTRATA IN C - USCITA IN D (PRIMARY CIRCUIT IN C - OUT D)
 CIRCUITO SECONDARIO ENTRATA IN A - USCITA IN B (SECONDARY CIRCUIT SANITARY IN A - OUT B)

DRAWING FOR APPROVAL
 PLEASE RETURN THIS DRAWING WITH
 YOUR COMPANY STAMP, SIGNATURE AND
 DATE. AFTER YOUR APPROVAL WE WILL
 BE PROCEEDING WITH SUPPLIES AND
 PRODUCTION.

Revisi		Revisions			
Rev.	Descrizione	Data			
06	REDRAWN WITH S.W.	19/12/2012			
 Zilmet S.p.a. Via del Santo,242 35010 Limena (PD)-ITALY Tel. +39 049 7664901 Fax +39 049 767321 www.zilmet.com zilmet@zilmet.it		DRAWING N° ZB 500	SCALE 1:4	MATERIAL SEE TABLE	 Dimensions in mm
DENOMINATION HEAT EXCHANGER		DRAWN GIBIN G.	DATE 17/12/2012	CODE 17B500--04	This drawing is the property of company Zilmet S.p.a. All rights reserved.
		CHECKED PIROVANO M.	DATE 17/12/2012		
		APPROVED Sig.ri BENETTOLO	DATE 17/12/2012		
A3					